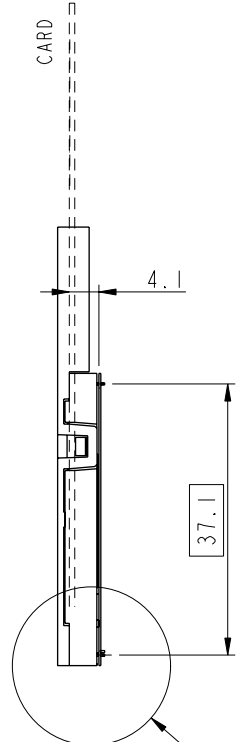
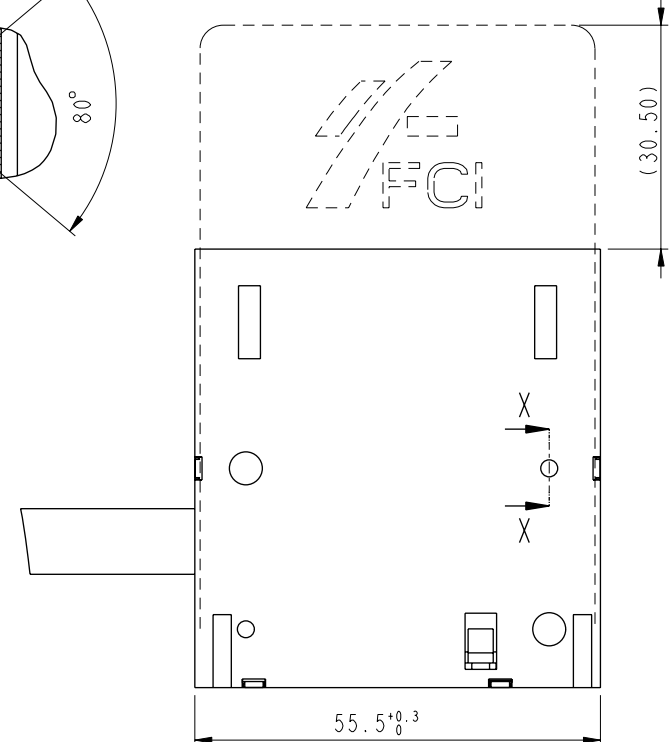
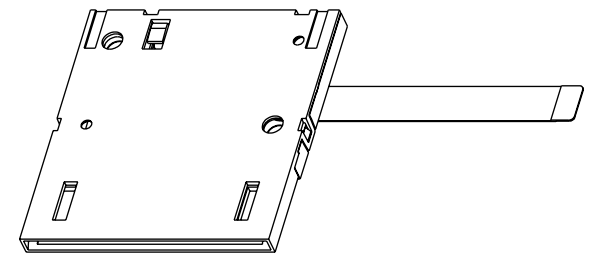
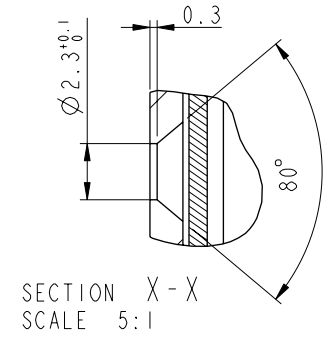


PART NUMBER	LF VERSION
7361E0515S08	7361E0515S08LF



**GENERAL :**  
 High cycle life duration smart card connector with landing type contacts mechanism. The landing type connector also provides the feature of recessed contacts when card is not inserted which protects them against vandalism.  
 Smart card for reference purposes only.

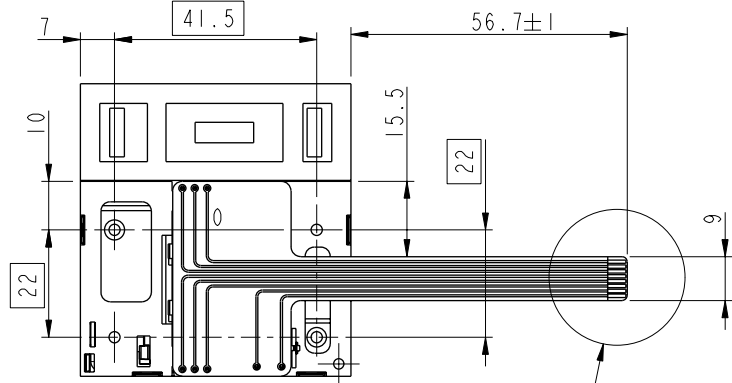
**ELECTRICAL PROPERTIES:**  
 Insulation resistance : > 1000MΩ  
 Dielectric withstanding voltage : >750 Vrms  
 Current carrying capacity : Min 10μA, Max 1A  
 Contact resistance : < 100mΩ

**MECHANICAL PROPERTIES :**  
 Operating force : Insertion : F < 10N  
 Withdrawal : 1 < F < 10N  
 Contact Normal force : 0.2 < F < 0.3 for 0.6mm of deflection  
 Durability : 200 000 mating cycles

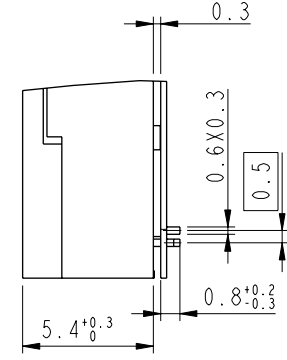
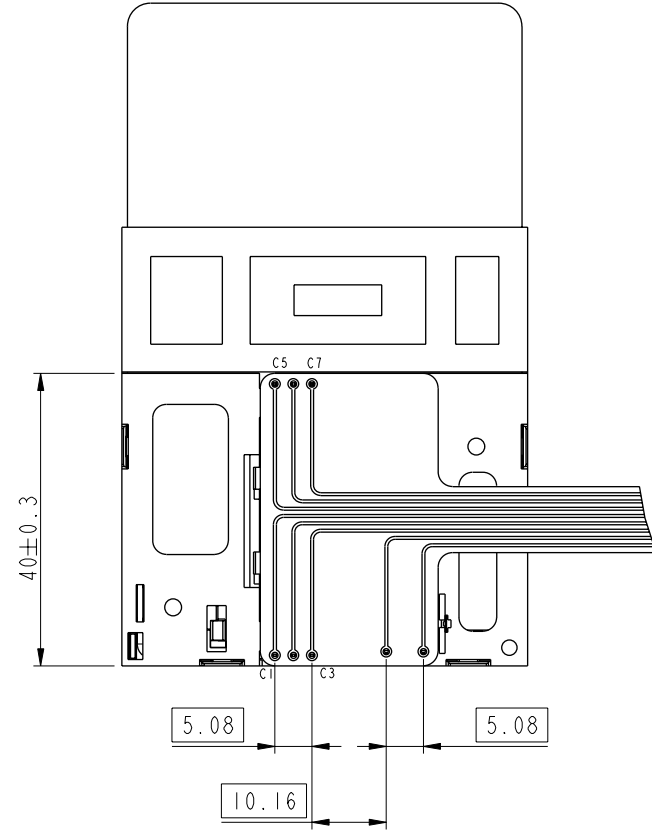
**MATERIAL :**  
 Head reader : PA4/6, Colour Black, Rated UL94V0  
 Cover : PEI, Colour Black, Rated UL94V0  
 Contacts : Copper alloy,  
 Plating : 2.5μm Nickel min. all over  
 2μm Gold min. on contact area  
 3μm SnPb(60/40) min. on solder tails (for leaded version)  
 3μm matte tin min. on solder tails (for leaded version)

**ENVIRONMENT :**  
 Operating temperature : -40°C / +90°C  
 Climatic conditions : UTE 93-421

**PACKAGING :**  
 Plastic cavity tray

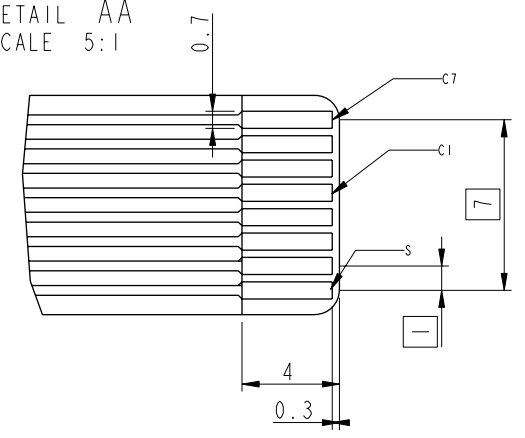


SEE DETAIL AA



DETAIL B  
SCALE 5:1

DETAIL AA  
SCALE 5:1



LEAD FREE VERSION:  
 "This product meets European Union Directives and other country regulations as described in GS-22-008"

Copyright FCI.

lfr	ecn no	dr	date
A	F20307	DLE	2002/04/29
B	F20341	DLE	2002/06/04
C	LS3088	JTA	2003/11/28
D	104-0051	DTK	2004/07/17
E	105-0181	NT	2005/10/04
F	106-0057	SSC	2006/05/27
G	108-0123	SSC	2008/09/22

General Tolerances	
0 to 10mm:	±0.1mm
10 to 30mm:	±0.15mm
30 to 60mm:	±0.2mm
60 and more:	±0.3mm

www.fciconnect.com		surface -- ✓	tolerance std	projection	mm
		ISO 1302	ISO 406 ISO 1101	⊕	←
		TOLERANCES UNLESS OTHERWISE SPECIFIED			
Dr	D LEGRAND	2002/04/29	ANGULAR	0.x	±
Eng	F TISSERAND	2002/04/29	LINEAR	0.xx	±
Chr	S.S.CHERIAN	2008/09/22	0° ±°	0.xxx	±
Appr	S.S.CHERIAN	2008/09/22	Product family MOBILE I/O		Spec ref 108-0123
FCI		E05-SIDE-FLEX 6 CTS		dwg no	VJW54523
		SMART CARD READER VXX 27787		Rev.	G
		catalog no	See Table	CUSTOMER COPY	sheet 1 of 1